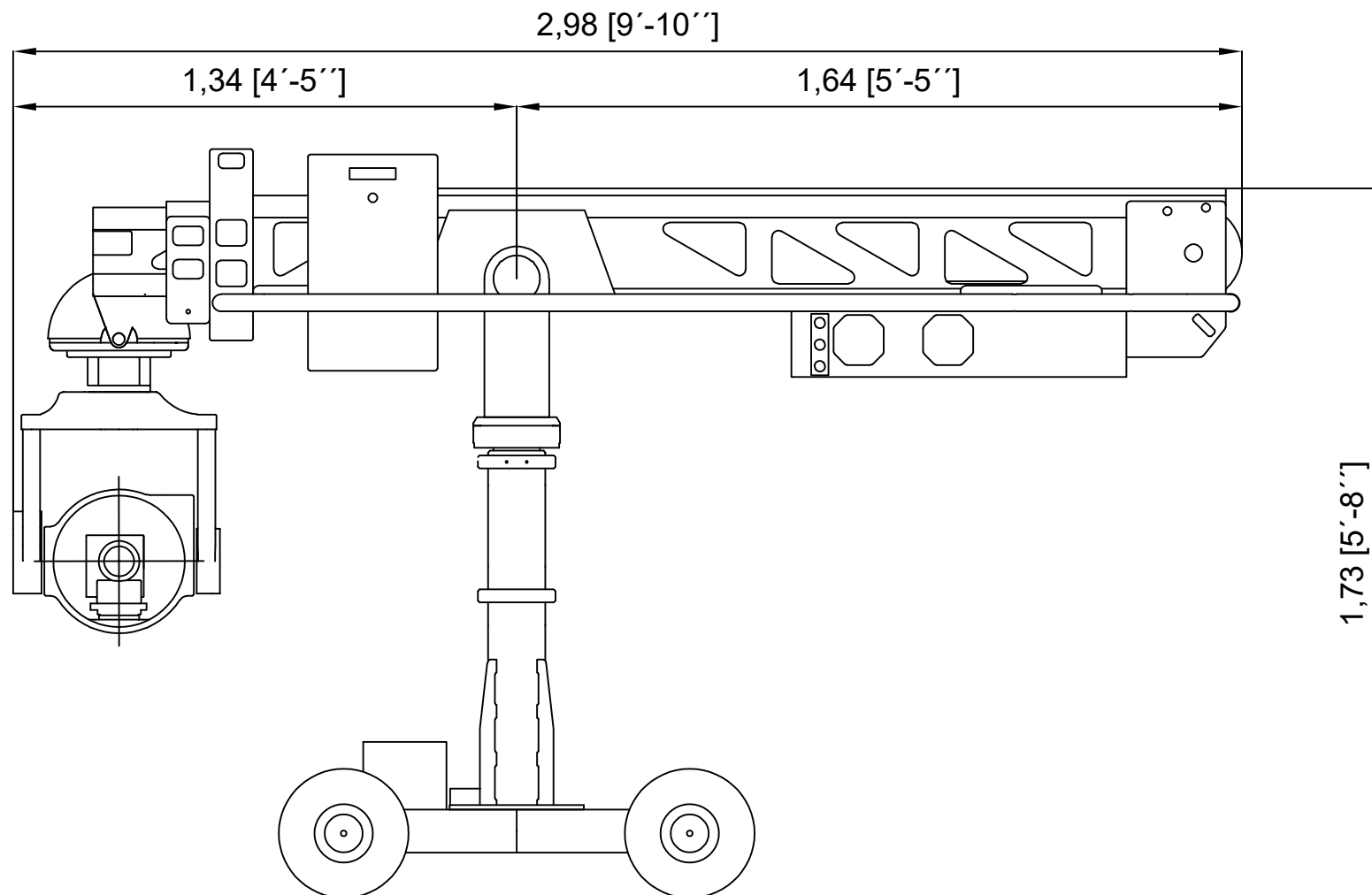


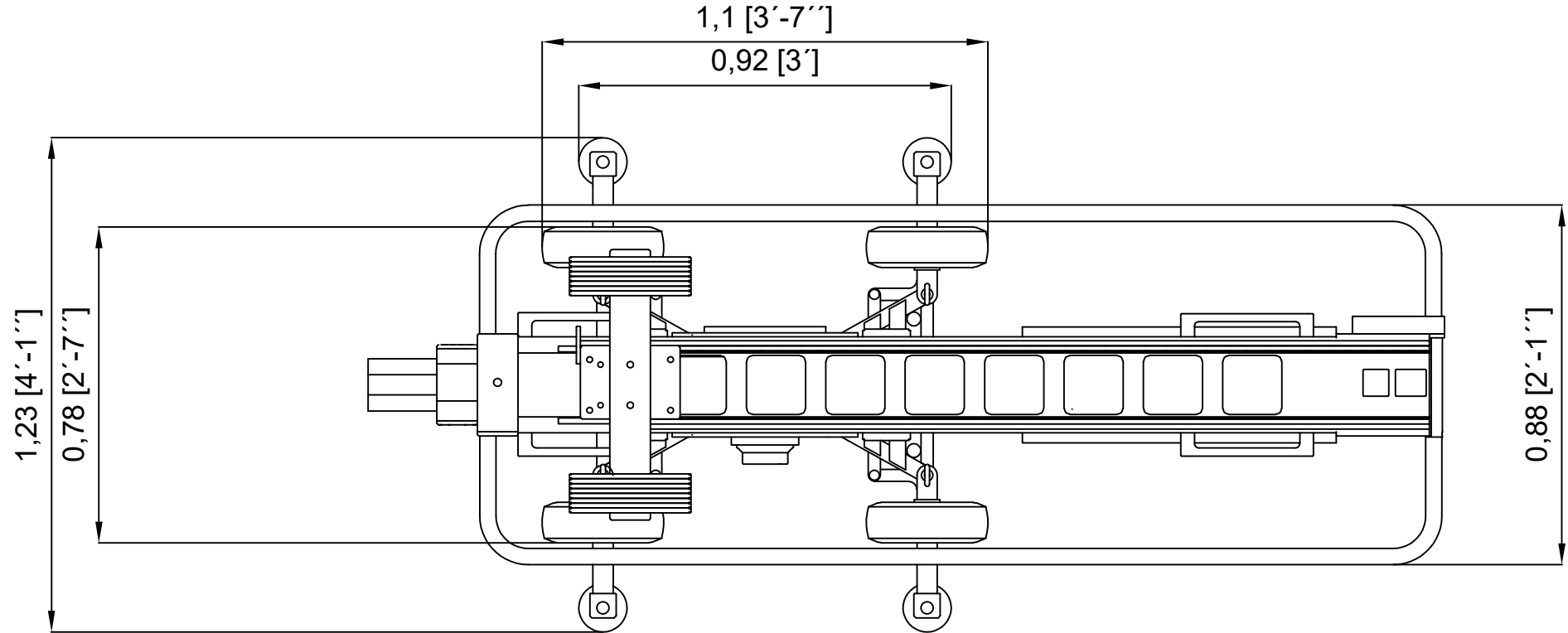
SUPERTECHNO 15

| | |
|-------------------------|------------------|
| Max. lens height: | 4,57 m / 15 ft. |
| Max. telescopic extent: | 2,86 m / 9 ft. |
| Max. camera weight: | 35 kg / 80 lb |
| Total weight: | 559 kg / 1233 lb |
| Max. speed: | 0,75 m/s |



SUPERTECHNO 15

| | |
|-------------------------|------------------|
| Max. lens height: | 4,57 m / 15 ft. |
| Max. telescopic extent: | 2,86 m / 9 ft. |
| Max. camera weight: | 35 kg / 80 lb |
| Total weight: | 559 kg / 1233 lb |
| Max. speed: | 0,75 m/s |



TECHNO CRANE 15

Weight list

Last updated 15.5.2014

| Part | kilograms | pounds |
|-------------------------------------|-----------|--------|
| Base | 45 | 99 |
| Leveling Jacks (4 x 6 kg) | 24 | 53 |
| Column with fork | 45 | 99 |
| Beamunit | 57 | 176 |
| Counterweights (10 x 7 kg) | 70 | 154 |
| 4 x Sliding weights (2 x 4,5 kg) | 9 | 20 |
| Electronic Unit for head | 21 | 46 |
| Electronic Unit for crane | 21 | 46 |
| TECHNOHEAD LT | 10 | 22 |
| Technocrane 15 (incl. 10 kg camera) | 313 | 690 |
| One Track (3 m/10 ft.) | 15,5 | 34 |